

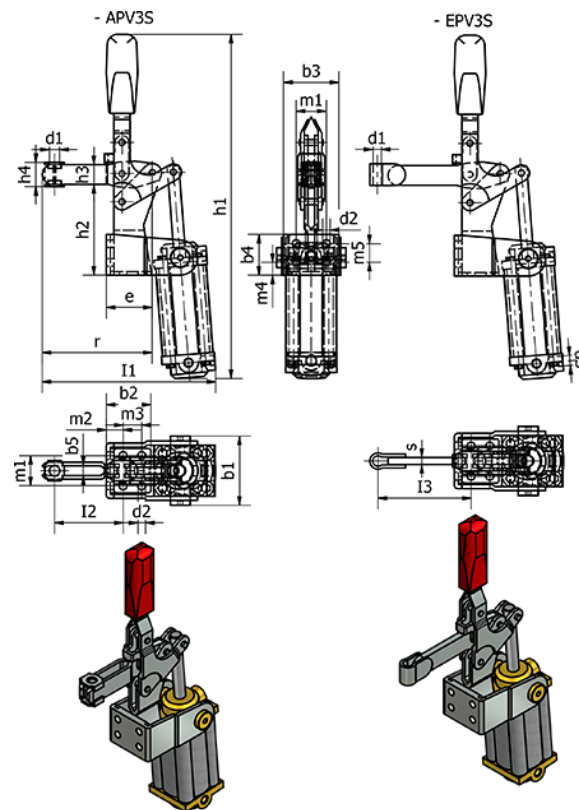
Data Sheet



Article number: 208621200EPV3SM

Description: E+G Ganter clamps with magnetic piston
GN 862.1-200-EPV3S-M

Measures



| | | | | | | | |
|--------------------------------------|--------|--------------------|----------|----|--------|-------------|------|
| b1 | = 59.5 | d3 | = G 1/8" | I2 | = - | m4 | = 11 |
| b2 | = 38.5 | e | = 39.5 | I3 | = 80 | m5 | = 16 |
| b3 | = 51 | h1 | = 296 | I1 | = - | r | = 98 |
| b4 | = 35 | h2 | = 78 | I2 | = - | s | = 6 |
| b5 | = - | h3 | = 17 | I3 | = - | Weight in g | = 12 |
| Clamping force at 4 bar in air press | = - | h4 | = - | m1 | = 26 | | |
| d1 | = M8 | Holding force in N | = 2200 | m2 | = 14.5 | | |
| d2 | = 6.5 | I1 | = 150 | m3 | = 16 | | |